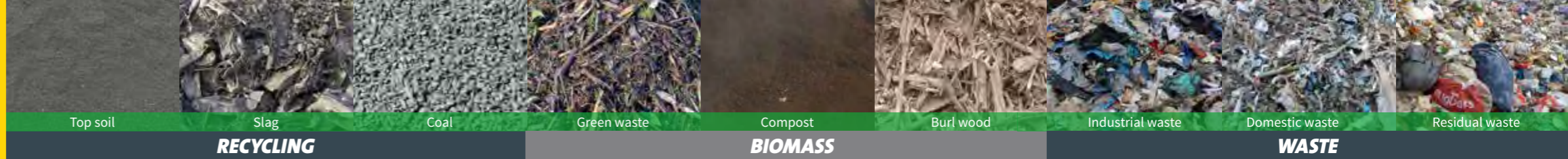


SCREENING TECHNOLOGY

2 FRACTION STAR SCREENS



2 FRACTION STAR SCREEN

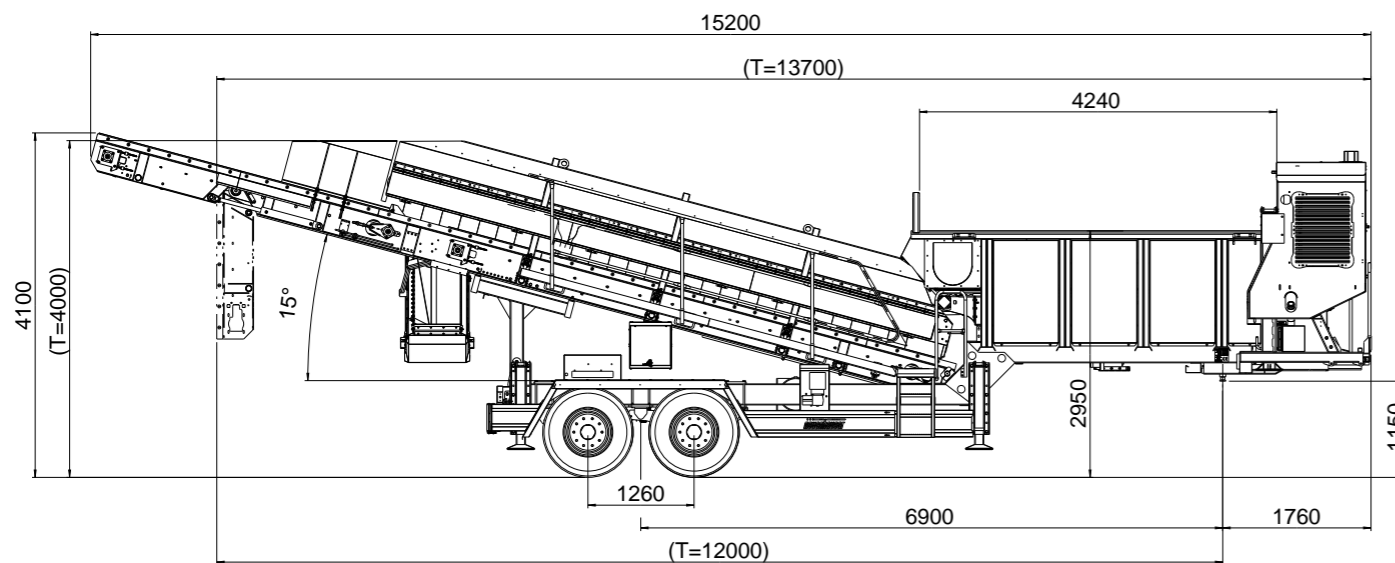
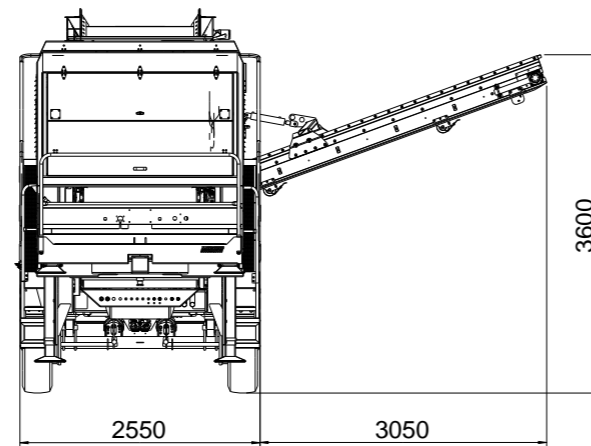
SUPERSCREENER 2F SEMI-TRAILER / SIX-WHEEL TRAILER



SEPARATION MADE EASY

Simple operation and easy maintenance are just two of the outstanding features of the 2F star screen trailer. The compact screening machine can be used for applications such as the processing of biomass, household waste and industrial waste.

The resource-friendly treatment of soil is another important area of application for the 2F star screen trailer.



	Semi-trailer / six-wheel trailer for 80 km/h as per StVO, with ABS	Semi-trailer / six-wheel trailer for 80 km/h as per StVO, with ABS
Total weight	approx. 16,000 kg	approx. 16,000 kg
Drive	Hybrid	Diesel hydraulic
Output	Power unit 110 kVA Electrical motor 55 kW	Diesel engine 86 kW / 117 PS
Emission standard	In accordance with the latest emission standard	EU Stage V / EPA Tier 4 Final
Cubic capacity	4.5 litres	4.5 litres
Fuel tank	300 litres	300 litres
Hopper volume	up to 7.5 m ³	up to 7.5 m ³
Screen deck		
Width	1,250 mm	1,250 mm
Length	6,900 mm	6,900 mm
Fractions	10 - 200 mm	10 - 200 mm
Star size	300, 287, 230, 216 or 170 mm	300, 287, 230, 216 or 170 mm
Star speed	0 - 230 rpm, infinitely variable	0 - 230 rpm, infinitely variable

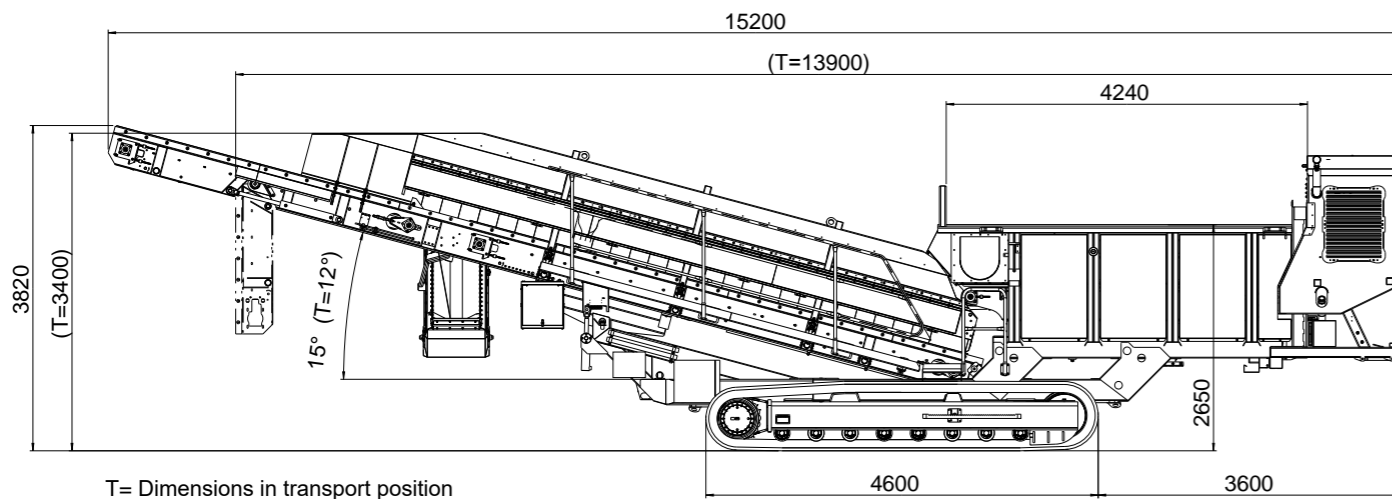
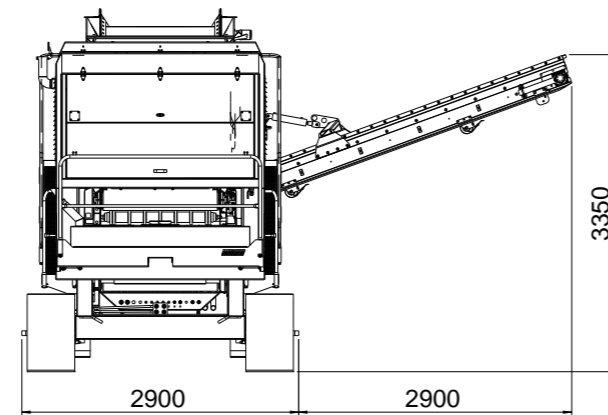


2 FRACTION STAR SCREEN SUPERSCREENER 2F TRACKED CHASSIS FRAME



STARS ON CHAINS

Supported by a strong tracked chassis frame, the 2F star screen crawler masters challenges in difficult terrain both safely and efficiently. Among its various fields of application in the field of waste management are biomass and soil treatment, tailored to the individual requirements of the user.



	Self-driving tracked chassis frame; two travel speeds	Self-driving tracked chassis frame; two travel speeds
Total weight	approx. 22,000 kg	approx. 22,000 kg
Drive	Hybrid	Diesel hydraulic
Output	Power unit 110 kVA Electrical motor 55 kW	Diesel engine 86 kW / 117 PS
Emission standard	In accordance with the latest emission standard	EU Stage V / EPA Tier 4 Final
Cubic capacity	4.5 litres	4.5 litres
Fuel tank	300 litres	300 litres
Hopper volume	up to 7.5 m ³	up to 7.5 m ³
Screen deck		
Width	1,250 mm	1,250 mm
Length	6,900 mm	6,900 mm
Fractions	10 - 200 mm	10 - 200 mm
Star size	300, 287, 230, 216 or 170 mm	300, 287, 230, 216 or 170 mm
Star speed	0 - 230 rpm, infinitely variable	0 - 230 rpm, infinitely variable



2 FRACTION STAR SCREEN

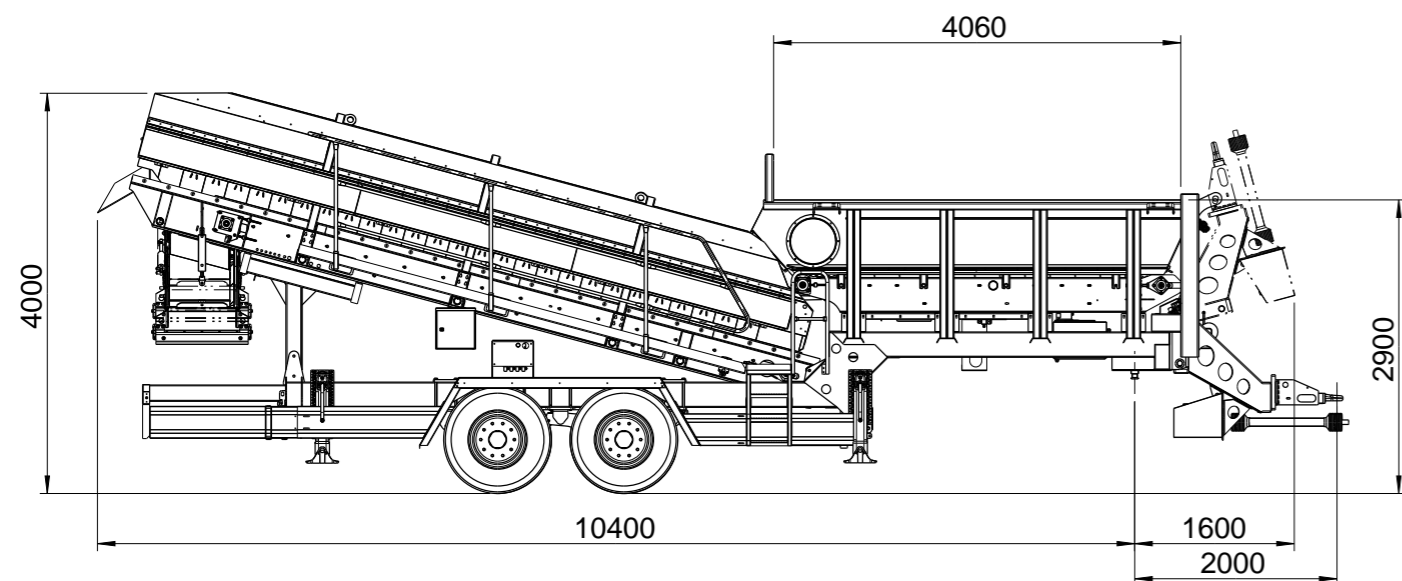
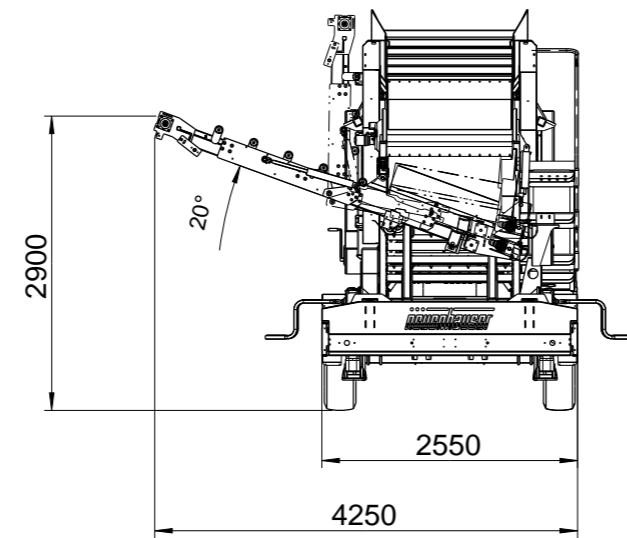
SUPERSCREENER 2F-PLUS SEMI-TRAILER / TOW BAR COMBINATION



TRAILER-FAST TRANSPORT

Compact, economical and easy to operate, the 2F-Plus is a convenient star screen for the clean processing of waste wood, green waste, coal, household waste and other residual materials.

The 2FPlus star screen can be easily and safely transported to any location as a semi-trailer or trailer.



	Combination version (semi-trailer and tow bar) for 80 km/h as per StVO, with ABS
Total weight	approx. 22,000 kg
Drive	Diesel hydraulic (PTO drive)
Emission standard	In accordance with the latest emission standard
Hopper volume	5 m ³
Screen deck	
Width	1,250 mm
Length	6,900 mm
Fractions	10 - 200 mm
Star size	300, 287, 230, 216 or 170 mm
Star speed	0 - 230 rpm, infinitely variable

